

Below is the recommended installation method for the fence extension panels. If using any other method, you must allow a minimum of 8mm clearance for expansion and contraction around the outside of each panel. If you do not allow for the movement, you may invalidate the warranty of this product.

option 3 - Framed Fence Extension Installation Instructions

Tools

Power drill
 4mm drill bit
 9mm drill bit
 Pliers
 Marking pen
 Wood saw
 Phillips screwdriver
 Hacksaw*
 *required only if reducing the length of the fence extension

Frame Kit contents: (sold separately)

One (1) long channel (2382mm)
 Two (2) short channels (1500mm)
 Two (2) plastic corners
 Eight (8) plastic screw hole caps
 One (1) centre bracket

NOTE: For each EcoScreen Fence Extension Panel you will need to purchase

- one (1) Frame Kit and the following hardware:
- Three (3) centre bracket screws
- Four (4) mounting screws (maximum head diameter 9mm)
- Four (4) screws OR rivets for corners

Preparation

- 1 Clear a work area where you can assemble the frame to the panel.
- 2 Ensure that the fence is solid and secure. Check the line of the top of the fence. If this line is not horizontal, you can install the fence extensions as shown in Fig. 1A. If this line is not straight, you can step the fence extensions to suit as shown in Fig. 1B.
- 3 There is a large flange on one edge of the Fence Extension Panel and a small flange on the other edge. Using a saw cut 40mm off the large flange on both sides of the panel at each end to allow it to fit into the channel as shown in Fig. 2.
- 4 If a full-size framed fence extension (which is 2455mm long) will not fit into the available space, you will need to reduce its length. To do this, cut the long channel 75mm shorter than the overall length ensure the frame (channel) is reduced by the same amount.

Installation

- 1 Slide the long channel over the narrow flange of the fence extension panel as per Fig. 2,
- 2 Fit the plastic corners into one end of each short channel and then fit the two short channels onto the ends of the long channel as per Fig. 3.
- 3 Drill 4mm holes through the channels and corners and then screw or pop rivet the channels to the corners as per Fig. 3. Please ensure that screws do not interfere with the fence extension panel by fitting them off to one side of the channel.
- 4 Mark at least two mounting points on each of the vertical channels.
- 5 Drill 4mm holes right through the vertical channels at the marked mounting points as per Fig. 4.
- 6 Drill 9mm clearance holes for the heads of the screws THROUGH THE FRONT SURFACE ONLY of the vertical channels as shown in Fig. 5.
- 7 With the assistance of a second person, raise the assembled fence extension into position on the fence and screw it onto the fence as per Fig. 6, ensuring that both vertical channels are square to the horizontal channel using a corner of the cardboard box or a set square. NOTE: Spacers (not supplied) may need to be fitted between the vertical channels and the fence to ensure that the fence extension is vertical (e.g. if a capping is fitted to the fence).
- 8 Cover the 9mm clearance holes with the supplied screw hole caps as per Fig. 7.
- 9 Attach the bracket to the flange at the centre of the panel to ensure that the panel does not bow or move in the wind as per Fig. 8.

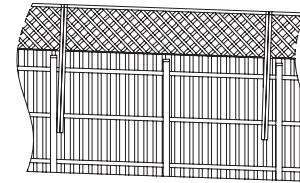


Fig. 1A

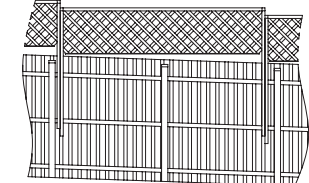


Fig. 1B

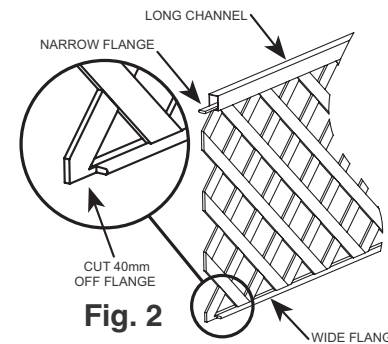


Fig. 2

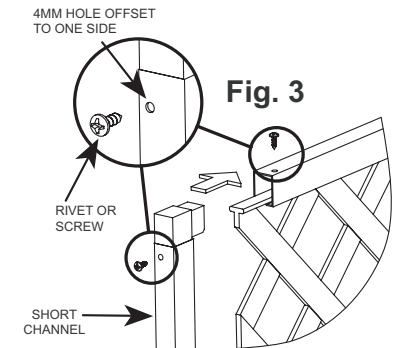


Fig. 3

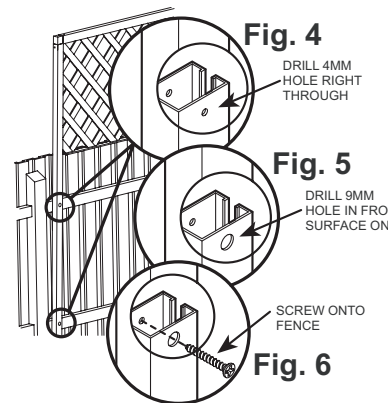


Fig. 4

Fig. 5

Fig. 6

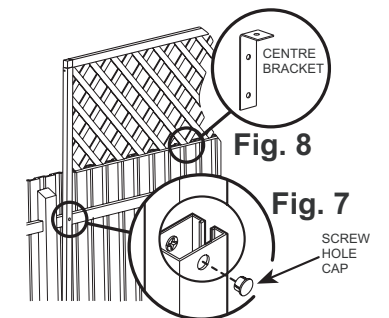


Fig. 8

Fig. 7